



Contact our professional and experienced team today

Australia

PO Box 15, 33-45 Parkyn Parade
Mooloolaba QLD 4557 AUSTRALIA
Toll Free 1300 855 338
Phone international +61 7 5452 5164
Email info@multihullsolutions.com.au
www.multihullsolutions.com.au

New Zealand

9 Westhaven Drive, Westhaven
Auckland 1010 NEW ZEALAND
Toll Free 0508 MULTIS (0508 68 58 47)
Phone international +64 9 903 1000
Email office@multihullsolutions.co.nz
www.multihullsolutions.co.nz



The Company offers the details of this vessel in good faith but cannot guarantee or warrant the accuracy of this information nor warrant the condition of the vessel. A buyer should instruct his agents, or his surveyors, to investigate such details as the buyer desires validated. This vessel is offered subject to prior sale, price change, or withdrawal without notice.

Perry 44.5 Power - Offered exclusively by Multihull Solutions



Perry 44.5 Power





Simply loaded with features, *C-Wyn* is a quality Perry catamaran that will appeal to the buyers who appreciate impressive performance, fuel economy and thoughtful design.

The quintessential entertainer's boat, *C-Wyn* has an expansive cockpit and sheltered flybridge complete with lounge to accommodate up to ten guests while soaking up the panoramic views.

Designed for optimal safety and comfort, the boat features wide side decks with convenient access forward and aft, while its shallow draft and protected propellers and rudders allow for unrestricted exploration and safe beaching.

Introduction

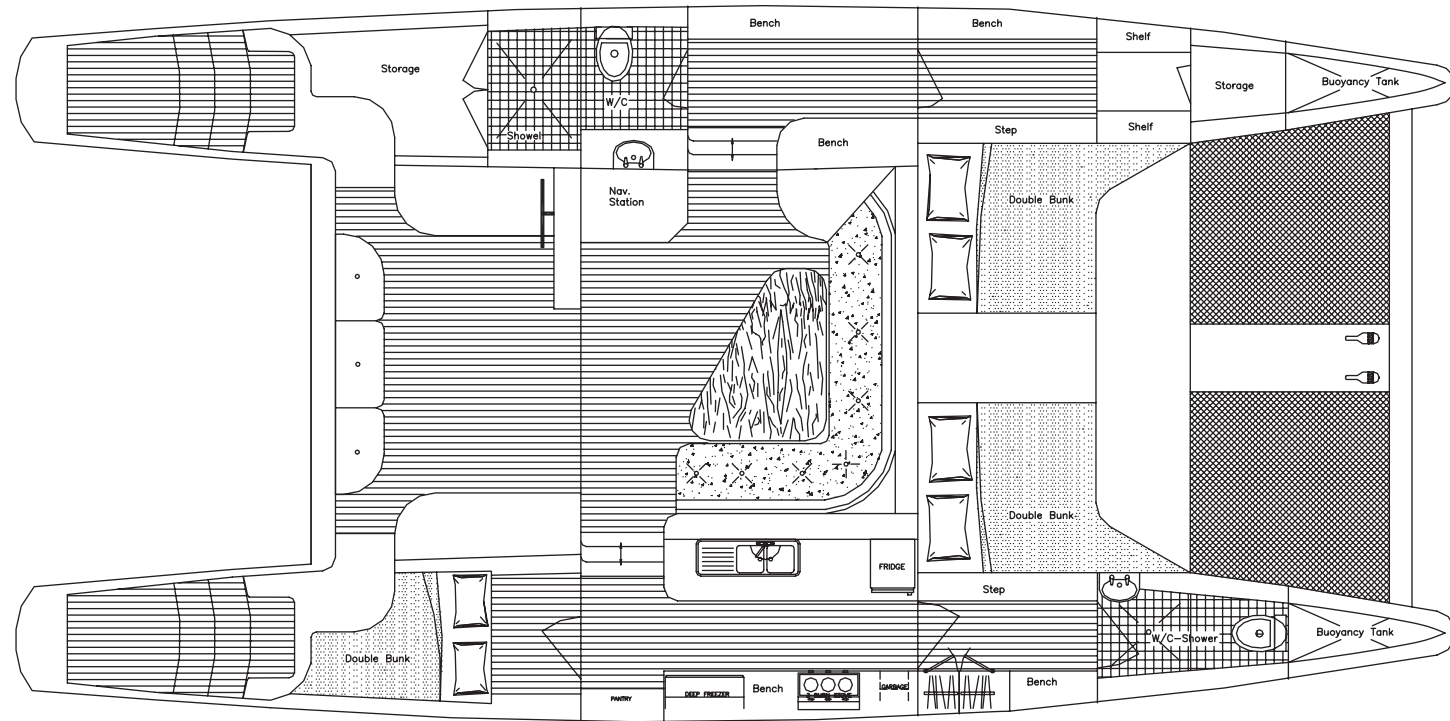


C-Wyn's performance at sea is enviable. The naval architect-approved design incorporates hull proportions that ensure a stable ride and outstanding manoeuvrability. Exceptional fuel economy and low operational costs make the vessel even more appealing for value-conscious buyers.

Constructed to survey standards with quality glass fibre composite, and employing best practice hull construction techniques using polyester and vinylester for strength, reliability and osmosis prevention, *C-Wyn* is arguably one of the best power catamarans on today's brokerage market.

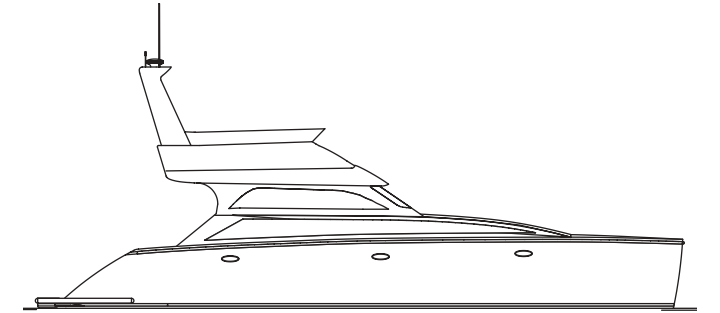


Layout



Specifications

Launch Date:	2004
Version:	Owner's version 3 cabins, 2 heads
Designer:	Brian Perry
Length overall:	13.4m / 44'5"
Beam:	6.6m / 21'7"
Draft:	1.2m / 3'9"
Full load displacement:	Approx. 12 tonne
Fuel capacity:	2 x 675L plus 2 x 100L approx.
Water capacity:	2 x 400L approx.
Holding tanks:	2
Engines:	2 x 190HP Yanmar diesel inboards
Top speed:	20.5 knots approx.
Fuel flow: at cruising speed	Approx. 20 litres per hour per engine
Electrical system:	24V and 240V AC
House batteries:	3 x 210 AH Gel Cell
Solar panels:	2
Construction:	Composite





FLYBRIDGE / COCKPIT

- Huge amount of seating on fly bridge, great for entertaining
- Fly bridge features hard top bimini and surrounding clears, fully protected from the elements, with 360 vision
- Fly bridge is accessed via enclosed anti-slip stairs from lower deck area
- Weather resistant upholstered seating
- Triple helmsman seat with icebox under
- Instrument control panel – widened to accommodate extra instruments
- Marine grade 12V outlet

LOWER REAR DECK

- Lower deck is spacious, with flow through to the saloon area
- Features engine instruments with Morse remote control
- Additional 12V cockpit cooler
- Marine grade 12V outlet
- Side and transom cabinets doubling as seating

MOORINGS

- 60lb plough anchor plus spare
- Approx. 120m 10mm chain (new), anchored to separate tie point in anchor rope locker with 10mm stainless steel D shackle
- Muir anchor winch – electric with manual handle
- Anchor chain encoder and fly bridge mounted receiver to measure chain length dropped

DECK EQUIPMENT

- 4 x front and back mooring cleats
- Stainless steel bow rails
- Stainless steel grab rails various places around deck
- Stainless steel towing bollards
- Pulpit seats
- Sureflow Blaster Deck and anchor wash system with salt water wash down pump, rear deck hose outlet and front deck outlet



ACCOMMODATION

C-Wyn is ideal for entertaining with multiple levels of living spaces. The large, comfortable flybridge enables good views, perfect for sundowner drinks with friends. On the next level, open plan living areas feature plenty of comfortable seating for large groups and an abundance of storage.

This version features one exclusive hull dedicated to the owners with a queen-sized bed and ensuite. The starboard hull features one queen-sized guest cabin and one double guest cabin with ensuite forward.

The starboard hull also features the galley-down with spacious bench area and everything you need to create gourmet wonders at sea!

MAIN OWNERS CABIN

- Features solid aged teak / ash floor
- Queen-sized bed with ensuite
- Plenty of storage throughout
- Weather station indicating time, barometric pressure and temperature
- Air-conditioned saloon
- Walk-in robe with shelving
- Washing machine
- Cupboard and mirror in bathroom

GALLEY

- Large working top
- 2 stainless steel sinks with draining board
- Hot and cold pressurised water; mixer tap
- 1 hob, 3 quality gas burners
- 1 quality gas oven
- 1 x 240V microwave
- 1 x 130L 12v large top loading freezer
- Wooden spice rack / wine and champagne glass rack
- Wooden plate / cup / mug and glass storage rack
- Wooden wine rack
- Crockery, cutlery and glassware



BATHROOM AREAS

Features 2 bathrooms, Guest bathroom in the forepeak on the starboard side, the owner's bathroom is located mid ships on the port side. Both feature the following:

- Tecma electric marine toilets 12 volt
- Counter top with built-in washbasin and large mirror
- Hot and cold water, mixer tap with built-in showerhead
- Shower with electric drainage pump
- Bathroom accessories / fixtures
- Ventilation via 1 deck hatch
- Lighting with spotlights

MOTORS

- Twin 190hp Yanmar 4 cylinder (4LHA-DTP) engines
- V-drive / shaft drive
- 4 blade bronze propeller
- Counter rotating propellers
- Cruise speed of 16 – 18 knots
- Max speed of approx. 20.5 knots
- Approximately 700 engine hours on both
- 2 x 90A alternators
- Hydraulic steering
- Complete engine panel and dual controls at helm station and in cockpit

ELECTRONICS

- Comprehensive set up of navigation equipment (all new gear)
- Raymarine Autopilot
- Raymarine ST60 wind direction and speed
- Garmin 7015 with the functionality for GPS, Radar, Chart Plotter, Depth Sounder / Fish Finder
- Back up Garmin 750 with the functionality for GPS, Radar, Chart Plotter, Depth Sounder / Fish Finder
- Stereo, iPod dock / CD player with amplifier
- Digital TV
- Clock
- Barometer
- Steering compass
- Garmin VHF
- Handheld VHF
- Tacho, oil pressure, water temperature, hour metre, fuel flow gauges



Inventory

ELECTRICAL

- Electrical system: 12V and 240V AC
- House batteries: 3 x 210 AH Gel Cell
- Switch to parallel engine and house batteries
- 2 x solar panels 12 volt
- 2.5kVa inverter / charger
- 1 x 10Amp shore power 240V
- 1 x isolation switch
- 3 x switchboards
- 1 x 8kVa Fisher Panda
- 4kg washing machine

PLUMBING

- Freshwater tanks with electric gauge
- 2 hot water systems powered from engine heat and 240 VAC
- 8 bilge pumps
- Fresh water hot and cold shower and wash down on rear starboard cockpit step

FISHING EQUIPMENT

- 4 rod holders mounted to side rails, angled for trolling
- 1 live tank with venturi fill, with power pump fill and circulation, and overflow

SAFETY

- Complete 1st category security equipment
- 10 x lifejackets included
- First aid kit
- Signal mirror
- 1 x life rings and 1 x man overboard light
- 4 x fire extinguishers
- 1 x radar reflector
- 1 x V-sheet
- 6 x flares
- 1 x EPIRB

MISCELLANEOUS

- Swift 3.6m tender with 9hp Mercury outboard
- 2 x manual tender davits
- 1 x stainless steel Marine BBQ
- Spares included
- Boarding ladders – 1 x swim ladder, 1 x side ladder



Summary



C-Wyn demands inspection to truly appreciate her extensive range of features and calibre of construction. Whether you want to escape in privacy for weekends on the water, or fill the boat with friends for unforgettable cruises, this remarkable catamaran is ready to go. Her elegant lines and timeless design are complemented by impressive performance with a fuel consumption rate that is particularly appealing in today's economic market.

Contact us today to discover for yourself what sets *C-Wyn* apart from its peers.

